

# Rooftop Supports & Frames



**Keeping the art of distribution simple**

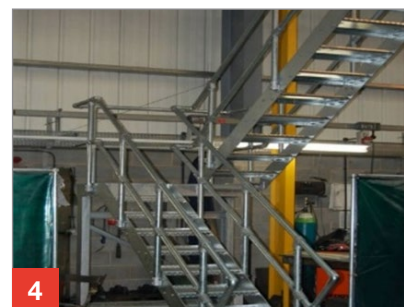
## Rooftop Supports and Frames

Shawston supply a complete range of Rooftop Support Feet, from H Frame to low level supports for pipe & electrical containment run offs, along with bespoke steel frames to support Chiller Units, Air Handling Units, Air Source Heat Pumps and other items of plant. Shawston support feet & fabricated frames are all manufactured to the very highest standards.

We operate a bespoke fabrication service at our specialist facility in Manchester, and are able to offer you products that complement rooftop installations. Our in house design service team share in excess of 200 years experience & are fully versed in underwriting design & load calculations. The combination of our skilled labour, experience, well equipped workshop and vast stock ensures peace of mind that your project requirements will be manufactured and supplied to the required standard of your on-site installation and delivered on time using our own vehicle fleet via our nationwide branch network.

### SHAWSTON CAN MANUFACTURE THE FOLLOWING BESPOKE PRODUCTS:

1. AHU & Chiller Support Frames
2. Access Ladders
3. Walkways / Platforms
4. Stair Cases
5. Bridging Stairs



## Rooftop Supports

### H FRAME FEET - Individual H Frame Feet Square & Round



#### Product Information

The H Frame foot is a convenient, adaptable and low-cost answer for supporting hardware and roof apparatus or the furnishings of a plant room. This may surround projects involving pipe work, duct work, cable trays and/or air conditioning equipment.

Shawston supply your strut separately, keeping the installation costs low, enabling you to fabricate your own H Frames on site. Available to accommodate 41x41 and 41x82 (Back to Back) channels. We can also cut your channel to the required length. Where a greater load spread is required you can upgrade to a 500mm x 500mm square foot or for securing your ductwork and light weight plant use our 12kg or 25kg foot for extra ballast.

One of the greatest features of this product, is that it is moulded as a ONE piece item; Therefore, no fiddly plastic inserts or awkward rubber pads are required. They are dispatched as individual products, therefore, there is NO wasted packaging or assembly kits surplus to requirement during installation.

#### Material Specification

The rubber is milled, sieved and graded Styrene Butadiene rubber (Black SBR) in reclaimed truck/lorry tyre shred and granular form. Bound together using a 8% ratio of moisture curing Polyurethane Pre-Polymer UV Resistant Recycled Rubber.

#### Working Conditions

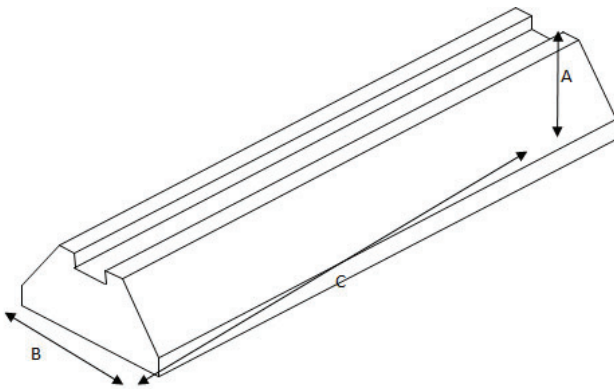
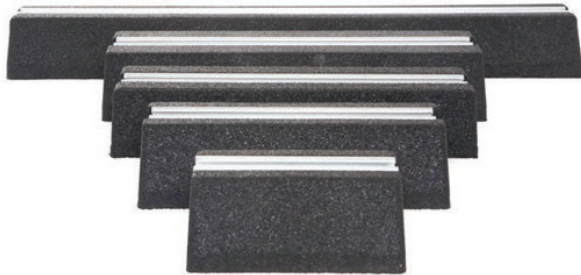
Range: -35°C to +80°C

CODE	Description	Max Load Per Foot KG'S	Load Bearing Steel Plate (mm)	Weight Per Foot KG'S
RTSHF35041/50	H Frame Foot 350x350mm 41mm & 50mm Core	200	95 x 4	5.2
RTSHF35081/41	H Frame Foot 350x350mm 81mm x 41mm Back to Back	200	95 x 4	5.1
RTSHF35041/50/2.5	H Frame Foot 350x350mm @ 2.5° 41mm & 50mm Core	200	95 x 4	6.6
RTSHF35041/50/5	H Frame Foot 350x350mm @ 5° 41mm & 50mm Core	200	95 x 4	7.2
RTSHF35041/50/12KG	H Frame Foot 350x350mm 12kg 41mm & 50mm Core	200	95 x 4	12
RTSHF500/41/50	H Frame Foot 500x500mm 41mm & 50mm Core	250	95 x 4	12.9
RTSHF500/41/50/2.5	H Frame Foot 500x500mm @ 2.5° 41mm & 50mm Core	250	160 x 4	16.1
RTSHF500/41/50/5	H Frame Foot 500x500mm @ 5° 41mm & 50mm Core	250	160 x 4	17.5
RTSHF500/41/50/25KG	H Frame Foot 500x500mm 25kg 41mm & 50mm Core	250	160 x 4	25



# Rooftop Supports

## FX SUPPORT FEET - Low level containment supports



### Product Information

The FX range is a practical and versatile support solution for pipework and cable trays. They can also be used for smaller outdoor condensing units or air source heat pump installations. The feet have a 41mm x 21mm pre-galvanised channel recessed into the top face allowing you to use standard strut fixings to secure your services to the feet.

Our FX range of products are made from recycled SBR rubber, making them eco-friendly. They also have the added advantage of vibration noise absorption which makes them the ideal product for roof or ground level installations.

### Material Specification

The rubber is milled, sieved and graded styrene butadiene rubber (black SBR) in reclaimed truck/lorry tyre shred and granular form. Bound together using a 8% ratio of moisture curing polyurethane pre-polymer UV resistant recycled rubber.

### Working Conditions

Range: -35°C to +80°C

CODE	Description	Max Load Per Foot KG'S	Height MM A	Width MM B	Length MM C	Weight Per Foot KG'S
RTSFX250	FX 250 + Channel 95H x 180W x 250L	160	95	180	250	2.5
RTSFX400	FX 400 + Channel 95H x 180W x 400L	240	95	180	400	4.5
RTSFX500	FX 500 + Channel 95H x 180W x 500L	400	95	180	500	4.75
RTSFX500H	FX 500 High @150 + Channel 150H x 160W x 530L	400	150	160	530	9
RTSFX600	FX 600 + Channel 95H x 180W x 600L	450	95	180	600	8.15
RTSFX600H	FX 600 High @200 + Channel 200H x 230W x 610L	450	200	230	610	18.2
RTSFX1000	FX 1m + Channel 95H x 180W x 1000L	645	95	180	1000	12.2
RTSFX250L	FX 250 Low + Channel 50H x 180W x 250L	160	50	130	250	1.5
RTSFX400L	FX 400 Low + Channel 50H x 180W x 400L	240	50	130	400	2.46

## Rooftop Supports

### ANTI VIBRATION - Strips / Pads & Slabs



#### Product Information

Walkway Tiles and Anti-Vibration Mats are made from recycled SBR rubber, making them eco-friendly. They also have the added advantage of vibration noise absorption which makes them the ideal product for roof or ground level installations.

These products have gained a world wide reputation in the field of vibration control and are used in many industries to isolate vibration, protect equipment from the effects of shock and reduce noise levels.

There are 10 designs and thicknesses of anti vibration products consisting of tiles, pads and slabs.

#### Material Specification

The rubber is milled, sieved and graded styrene butadiene rubber (black SBR) in reclaimed truck/lorry tyre shred and granular form. Bound together using a 8% ratio of moisture curing polyurethane pre-polymer UV resistant recycled rubber.

#### Working Conditions

Suitable for internal and external applications at temperatures: -35°C to +80°C.

All dimensions +/- 2mm. Weight per unit +/- 3%.

CODE	Description
RTSCOMBI16	Vibro Strip 1m x 75mm x 15mm
RTSCOMBI17	Vibro Pad 1m x 500mm x 30mm (2 x Steel plates inserted)
RTSCOMBI18	Vibro Pad 600mm x 150mm x 30mm (1 x Steel plate inserted)
RTSCOMBI50	Vibro Slab 1m x 1m x 50mm
RTSCOMBI51	Vibro Pad 1m x 500mm x 50mm
RTSCOMBI52	Vibro Pad 1.2m x 155mm x 50mm
RTSCOMBI53	Vibro Slab 1m x 162mm x 162mm
RTSCOMBI54	Vibro Sheet 1m x 1m x 6mm
RTSCOMBI55	Vibro Sheet 500mm x 500mm x 6mm
RTSCOMBI56	Vibro Sheet 600mm x 600mm x 6mm

# www.shawston.co.uk

---

Shawston London  
Units G & H,  
Hillbottom Road,  
Sands Industrial Estate,  
High Wycombe,  
Bucks HP12 4HS

Tel: 01494 460 910  
Fax: 01494 522 573  
Email: London@shawston.co.uk

Shawston Birmingham  
Bay 1, Block D,  
The Bescot Estate,  
Woden Road West, Wednesbury  
West Midlands WS10 7SG

Tel: 0121 556 3400  
Fax: 0121 506 4669  
Email: Birmingham@shawston.co.uk

Shawston Manchester  
Great Norbury Street,  
Hyde,  
Cheshire SK14 1BW

Tel: 0161 368 4545  
Fax: 0161 367 8114  
Email: Manchester@shawston.co.uk

Shawston Glasgow  
Block 1 Unit 4,  
Annick Industrial Estate,  
31 Sandilands Street,  
Shettleston,  
Glasgow G32 OHT

Tel: 0141 778 6975  
Fax: 0141 778 6264  
Email: Glasgow@shawston.co.uk

---